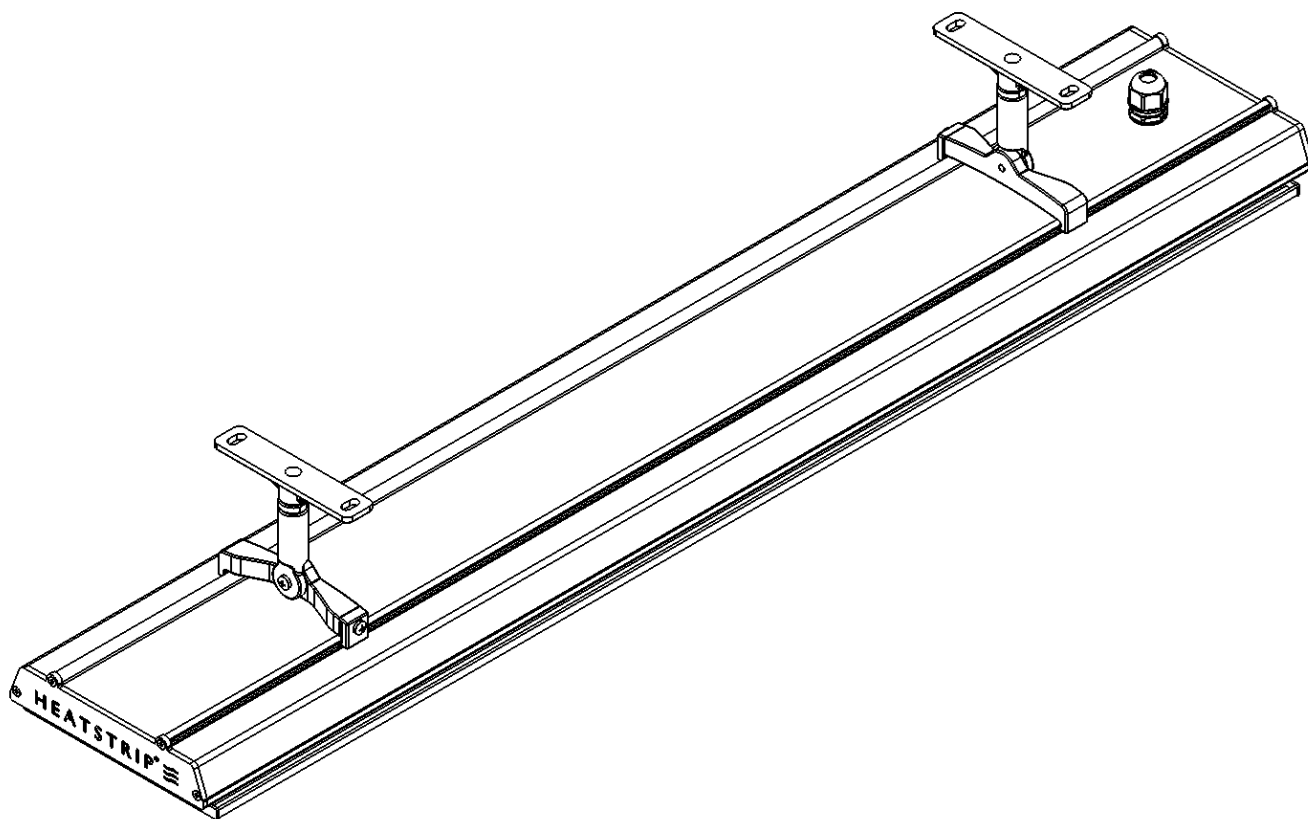


HEATSTRIP[®]



USER MANUAL

HEATSTRIP[®] Classic with Remote THH-AR



Superior Technology. Superior Style.

**Be Sure to Carefully Consult the User
Manual Before You Begin Using the Unit**

heatstrip.com.au

Thank You for Your Purchase!

Dear Customer,

Congratulations on the purchase of your new product from **HEATSTRIP®**

We recommend you please take some time to read the instruction manual thoroughly to familiarise yourself with the functionality and operations to ensure optimum performance of your new appliance.

After reading the manual, please store it in a safe and accessible location for future reference.

Installation

The installation of your new appliance must be carried out by a qualified installer / technician in accordance to local regulations. Please ensure all packaging materials are disposed of correctly.

Customer Care

Our Customer Care centre is available should you wish to learn more about your appliance in relation to how to use it to its best potential, or tips on maintenance, as well as available accessories.

Regards,

HEATSTRIP

For Further Details Please Contact Our Customer Care Team

Glen Dimplex Australia Pty Ltd
Ph: 1300 556 816 (AU) & 09 274 8265 (NZ)
HyperCare.Support@glendimplex.com.au
www.glendimplex.com.au

Contents

Features and Benefits	page 4
Safety	page 5
Specifications	page 6
Operating Cost Comparison	page 7
SPOT HEATING	
Spot Heating Principal	page 8
Radiant Footprint	page 9
Selection Guide	page 10
Table Layout	Page 11
INSTALLATION	
Installation Requirements	page 12
Installation Location	page 13
MOUNTING	
Mounting Options	page 14
Standard Mounting Brackets	page 15
Chain / Wire Suspension Mount	page 16
Extension Mounting Bracket	page 17
Flush Mount Enclosure	page 18
Wall Mounting Kit - (THHAC-028)	page 19
REMOTE CONTROL	
Enhance with Remote & App Control	page 20
Remote Control Operation	page 20
MAINTENANCE AND WARRANTY	
Maintenance	page 22
Warranty and Terms and Conditions	page 23

Features and Benefits

Innovative, High Performance Electric Heating Technology

High Output radiant heat

HEATSTRIP® Classic (THH-AR) electric radiant heaters produce radiant heat that travels through the air directly to people and surfaces below – similar to the heat rays emitted by the Sun. Radiant heating is the only viable option for outdoor or tough indoor sites.

Maximum heat performance – multiple applications

The high temperature output of the **HEATSTRIP® Classic (THH-AR)** is ideal for fully enclosed outdoor areas protected from wind enclosed with cafe blinds or walls.

Corrosion protection

Built from corrosion resistant alloy, it is suitable for use in most applications, including difficult corrosive environments such as coastal areas.

Corrosion protection

Built from corrosion resistant alloy, it is suitable for use in most applications, including difficult corrosive environments such as coastal areas.

Multi-Purpose Mounting Options

The **HEATSTRIP® Classic (THH-AR)** is supplied with flexible mounting options. The standard bracket will allow both ceiling and wall mounting, at various angles, as well as suspension by chains/wires and metal rods.

DIY

The THH2400AR is supplied with a lead and plug, and is therefore ideal for DIY installations with brackets included.

The THH3200AR must be installed by a licensed electrician.

Warranty

3-year residential and 2-year commercial warranty.

Material & Design

Anodised alloy casing and end caps with a powder coat hexagon grille.

Safety

HEATSTRIP® Classic (THH-AR) has an IP rating of 55. This means it is safe for water ingress from all directions. The HEATSTRIP® can be safely given a light spray with a hose to keep clean.

HEATSTRIP® has undergone extensive testing both in laboratory conditions; in Glen Dimplex's manufacturing facility in Melbourne and field trials in Australia and overseas. It has been this testing that gives the purchaser the confidence of a high quality product.

Independent laboratory testing has confirmed Glen Dimplex's full compliance with Australian and other International Standards. This includes CE, AS/ANZ, UL/CSE

The heater comes in both plug (2400W) and hardwired (3200W) versions. In both cases the fixed wiring must be installed by a licensed electrician in accordance with the relevant wiring regulations.

HEATSTRIP® is Class 1 equipment and must be earthed.

In operation, this heater is VERY HOT— do not touch any part of the heater while it is turned on. Do not touch any part until 30 minutes after it is turned off.

This appliance is not intended for use by persons (including children) with reduced physical, sensory or intellectual capabilities, or lack of experience and knowledge, unless they have been given supervision or instruction concerning use of the appliance by a person responsible for their safety. Children should be supervised to ensure they do not play with the appliance.

Do not allow any cables, furnishings, flammable materials or other items come in contact with any surface of the heater.

If installed in wet areas, the heater switches or controls must be located so that they cannot be touched by persons in the bath or shower.

The heater needs to be installed as per the installation instructions paying special attention to the minimum clearances. The heater needs to be mounted on a rigid bracket or fixing.

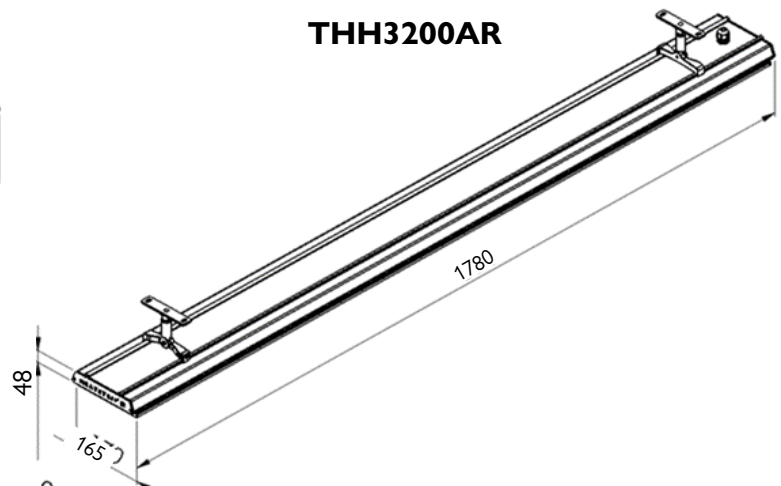
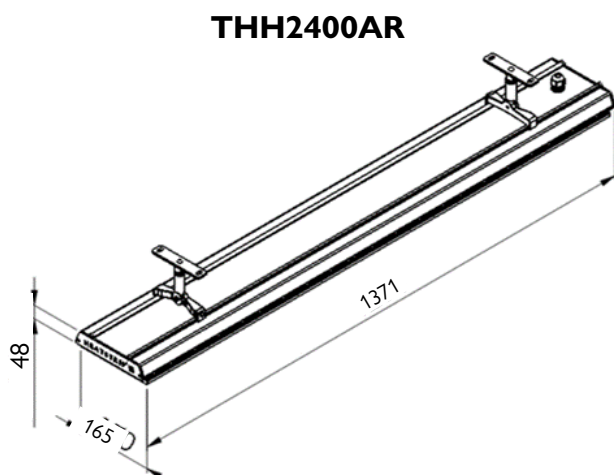
The heater must not be mounted immediately below or in front of a socket outlet.

In case of a heater fault or damaged supply lead, the appliance should be returned to the point of purchase for return to Glen Dimplex for repair.

Specifications - Australia

MODEL	POWER (Watts)	CURRENTS (Amps)	DIMENSIONS (mm)	WEIGHT (kg)	Lead Length (mm)	Plug
THH2400AR	2400	10	1371 x 165 x 48	7	1000	YES
THH3200AR	3200	13.3	1780 x 165 x 48	9	1000	NO

MODEL	
HEATER TYPE	High intensity electric radiant overhead heater with high surface area profiled alloy.
OUTPUT	2400 watts or 3200 watts
POWER	240 Volts Nominal at 50 Hertz, Single Phase
CONNECTION	3 Core Cable 2.5mm ²
APPROVALS	AUSTRALIA / NZ
MOUNTING HEIGHT	MINIMUM: 2.1 m RECOMMENDED: 2.3 m - 2.5 m MAXIMUM: 2.7m i n a fully enclosed outdoor area (For higher ceiling heights, units can be lowered using optional bracket kits or refer to the HEATSTRIP Max range)
MOUNTING OPTIONS	Suitable for ceiling, wall, beam, fixed umbrella and recess mounting. Also available for extension mount using rigid fixing poles and chains / wire suspension.
PROTECTION RATING	IP55 Protection from water ingress from all directions.
MATERIALS OF CONSTRUCTION	High temperature coated aluminium alloy.



Operating cost comparison

In many instances, patio heaters powered by gas bottles are used as an outdoor heating source. The below table shows the operational cost comparison between HEATSTRIP® and a bottled gas outdoor heater. Not only are the hourly running costs considerably less with HEATSTRIP®, but you never have to worry about running out of gas, no refilling, no unattractive gas bottle to waste space; and HEATSTRIP® actually improves the value of your property.

Running Cost	Outdoor Gas Heater	HEATSTRIP ELEC-TRIC RADIANT HEATER	
		THH2400A	THH3200A
PER HOUR	\$2.78/hr	\$0.67/hr	\$0.90/hr
PER YEAR	\$500.40	\$120.60	\$162.00

Notes:

- Calculations of hourly running cost for outdoor gas heater is based on \$25.00 average to fill a 9kg gas bottle and average running time of 9 hours. $\$25.00 / 9 \text{ hours} = \2.78 per hour
- Electricity rate of 28.0 cents/kWh
- All calculations are excluding GST.
 $2.4\text{kW} \times 0.28 \text{ cents} = \$0.67 \text{ or } 67 \text{ cents per hour}$
 $3.2\text{kW} \times 0.28 \text{ cents} = \$0.90 \text{ or } 90 \text{ cents per hour}$

Calculations of yearly running cost are based on 180 hours usage
 $180 \text{ hours} \times \$2.78 = \$500.40 \text{ yearly running cost for outdoor gas heater}$
 $180 \text{ hours} \times \$0.67 = \$120.60 \text{ yearly running cost for } 2400\text{W Heatstrip}$
 $180 \text{ hours} \times \$0.90 \text{ cents} = \$162.00 \text{ yearly running cost for } 3200\text{W Heatstrip}$

Spot Heating Principle

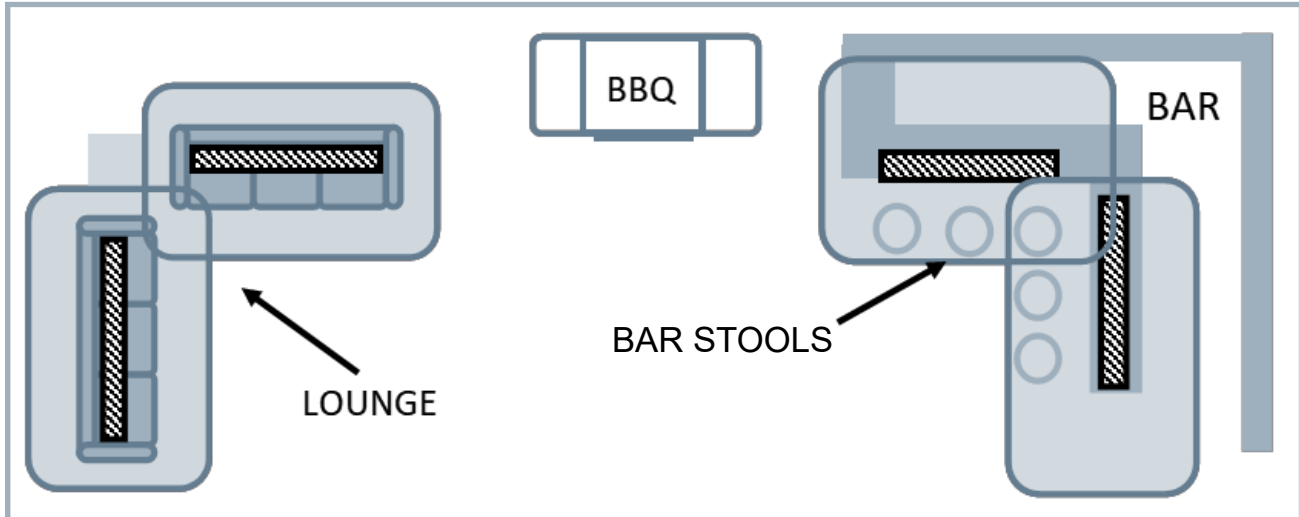
In most outdoor or difficult-to-heat indoor applications, there are 2 methods when looking at the size and quantity of heaters required.

Option 1 is to spot heat the high use areas, such as over outdoor tables, BBQ's, lounges, assembly lines or indoor workstations.

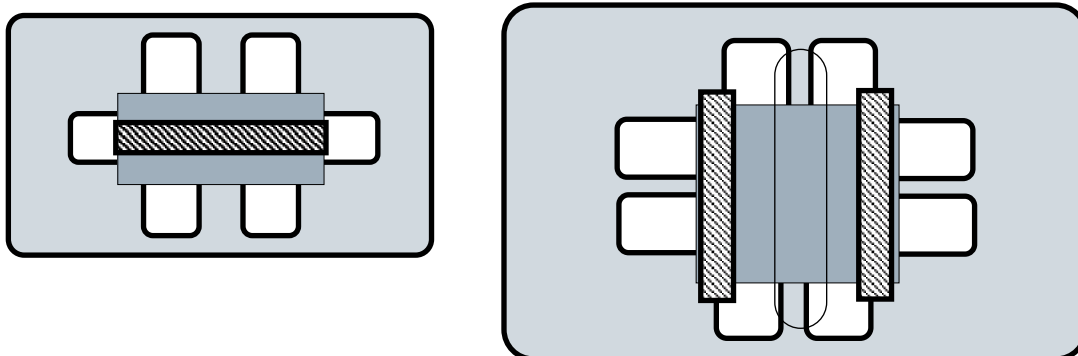
Option 2 is to comfort heat the entire area based on the total dimensions of the space, regardless of whether the entire area is being fully occupied or not.

Often it is more practical and efficient to spot heat these areas. Spot heating will help to reduce the initial capital cost, as well as the on-going running costs. Spot heating will allow the area to be “zoned”, meaning heating only the areas that are being used, such as tables in a restaurant or outdoor alfresco area.

Option 1



Option 2

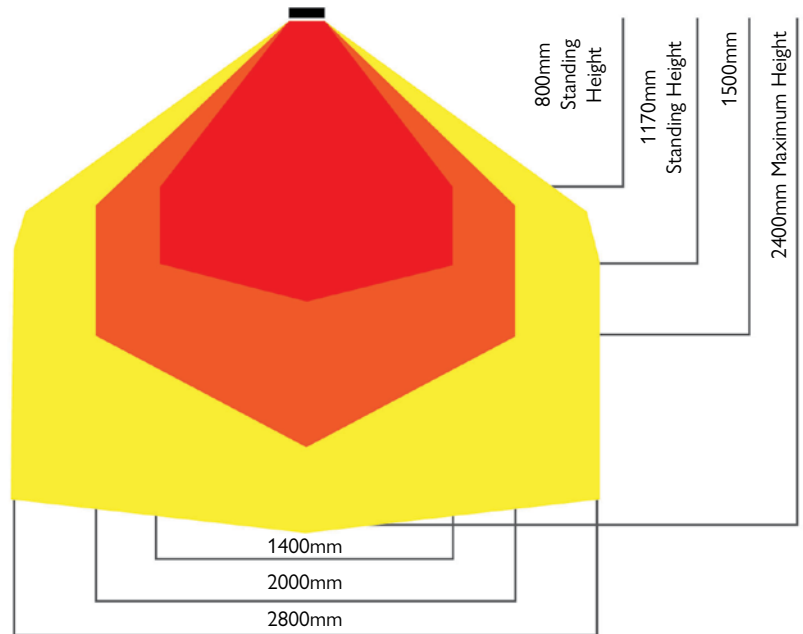


Radiant Footprint

HEATSTRIP® electric heaters produce radiant heat which heats objects rather than the air. Therefore, it is imperative that objects to be heated (ie. people), are within the direct radiant footprint of the heater.

The diagram to the right shows the radiant footprint of **HEATSTRIP®** Classic (THH-AR), and is an approximate guide based on a fully enclosed outdoor environment.

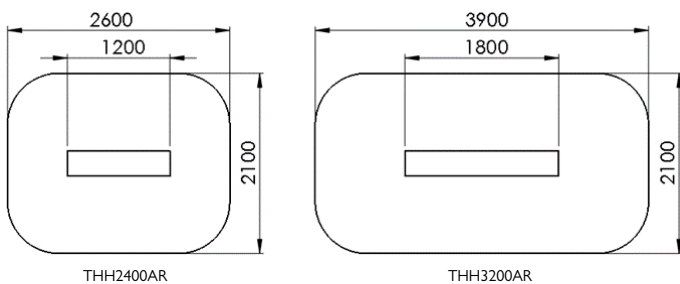
This diagram shows that the maximum heat output is found directly under the heater, and the temperature decreases as you move away from the heater. It highlights the importance of maintaining recommended mounting heights, and if possible, positioning the heater directly above the area to be heated.



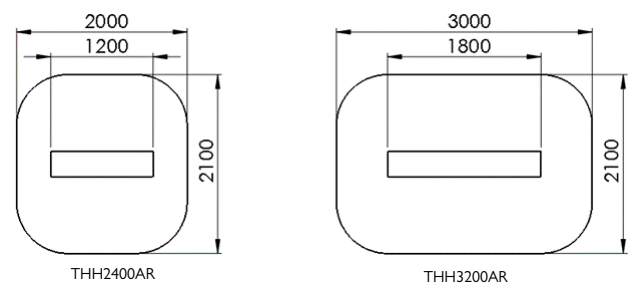
Note that the temperature is the same for both, regardless of the wattage. However, as the size increases and the length of the unit increases, the radiant footprint will be longer.

The below diagrams show the approximate heating area for each model, based on both an indoor and outdoor enclosed environment, with direct overhead mounting. The radiant footprint is reduced in angled, wall mounted installations.

Indoor Spot Heating



Outdoor Enclosed Heating



Selection Guide

General recommendation for **HEATSTRIP® Classic (THH-AA)**:

- Minimum mounting height: 2.1m
- Ideal mounting height: 2.3m to 2.5m
- Maximum mounting height: 2.7m
- Ideal mounting location: Ceiling mounted, directly above area to heated.
(e.g above a table)

Minimum recommended heating capacity for various installations are: 400W/m² for indoor spot heating; 500W/m² for protected outdoor areas, and 600W/m² for exposed outdoor areas. To ensure the HEATSTRIP® Classic provides satisfactory performance, Glen Dimplex strongly recommends using conservative coverage areas when specifying how many heaters are required for each installation.

The below table outlines the Coverage of the **HEATSTRIP® Classic THH-AR**, based on 3 different scenarios. For example, in an outdoor enclosed area that is protected from prevailing winds by walls, cafe blinds, etc.

The below tables show an approximate heating area for each model, based on both an indoor protected location, an outdoor enclosed location and an outdoor exposed location.

For angled wall mounting applications, the coverage is reduced by up to 40%.

MODEL	Indoor Protected (m ²)	Outdoor Enclosed (m ²)	Outdoor Exposed (m ²)
THH2400AR	6	4.8	4
THH3200AR	8	6.4	5.3

Table Layout

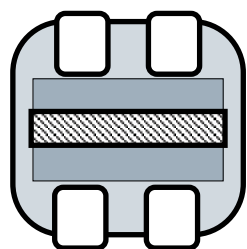
General recommendation for **HEATSTRIP® Classic (THH-AR)**:

- Minimum mounting height: 2.1m
- Ideal mounting height: 2.3m to 2.5m
- Maximum mounting height: 2.8m
- Ideal mounting location: Ceiling mounted, directly above area to heated.
(e.g above a table)

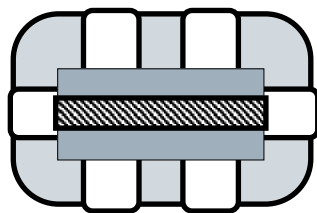
For the majority of outdoor applications, the most effective method is to spot heat a table or similar area. The diagrams below provide an easy selection guide for the approximate model and quantity of heaters required to heat common residential table settings.

Selecteds are based on **HEATSTRIP® Classic (THH-AR)** being mounted at 2.4m from the floor in a fully enclosed undercover outdoor area. Above data is based on direct overhead ceiling mouting. If the heaters are wall mounted, the radiant footprint may be reduced.

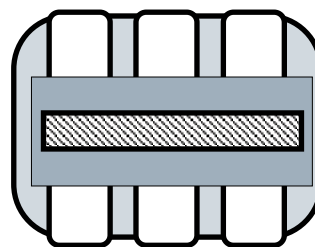
The below diagrams show the approximate heating area for each model, based on both an indoor protected, outdoor enclosed and outdoor exposed location.



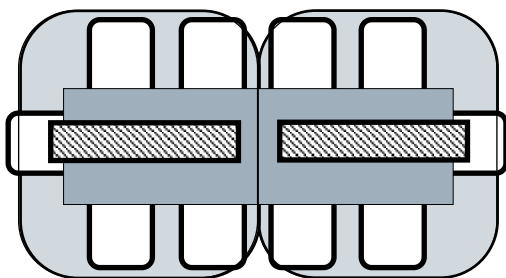
THH2400AR



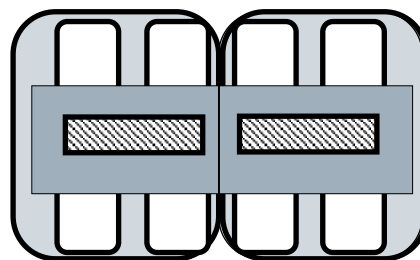
2 x THH2400AR



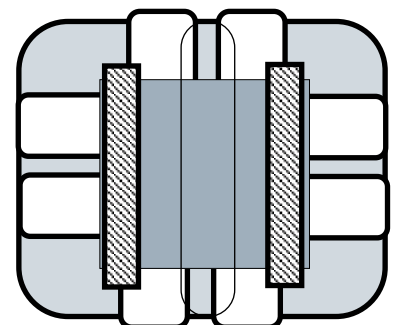
THH3200AR



2 x THH2400AR



2 x THH2400AR



2 x THH3200AR

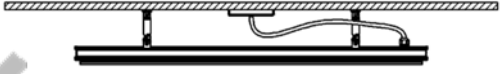

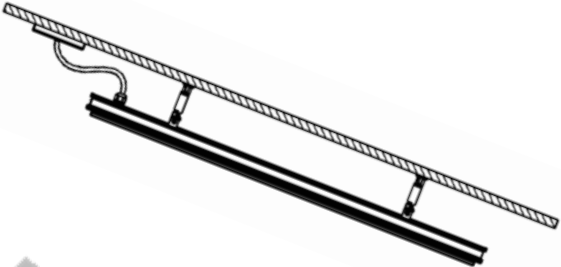
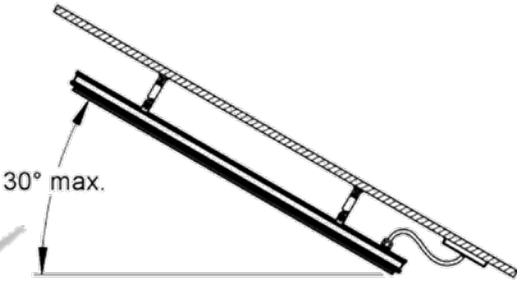
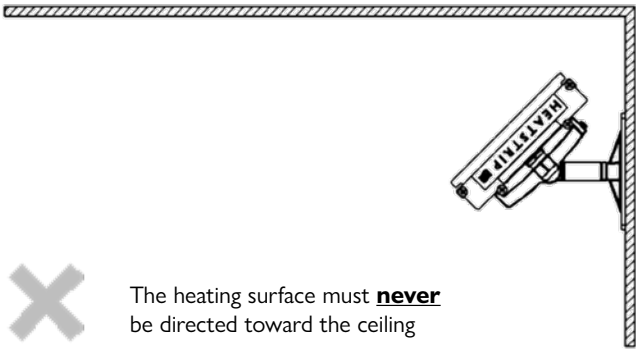
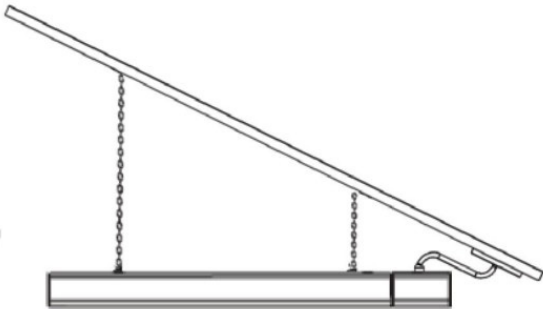
Installation Requirements

The ideal mounting position for the **HEATSTRIP® Classic (THH-AR)** is on the ceiling directly above the area to be heated. If this is not possible, HEATSTRIP® can be mounted on a wall and angled downwards. In this situation, ensure the mounting height is in the range of 2.1m to 2.7m and the table is close to the wall.

For mounting heights more than 2.7m, we recommend the use of the optional accessories to reduce the height of the heater to 2.3m—2.5 m. This will increase the effectiveness of your **HEATSTRIP®**. Refer to the Mounting Accessory section for more information.

Electrical connections/GPO's should not be located at the back of the heater. They should be located outside the physical footprint of the units to minimize heat build-up behind the units.

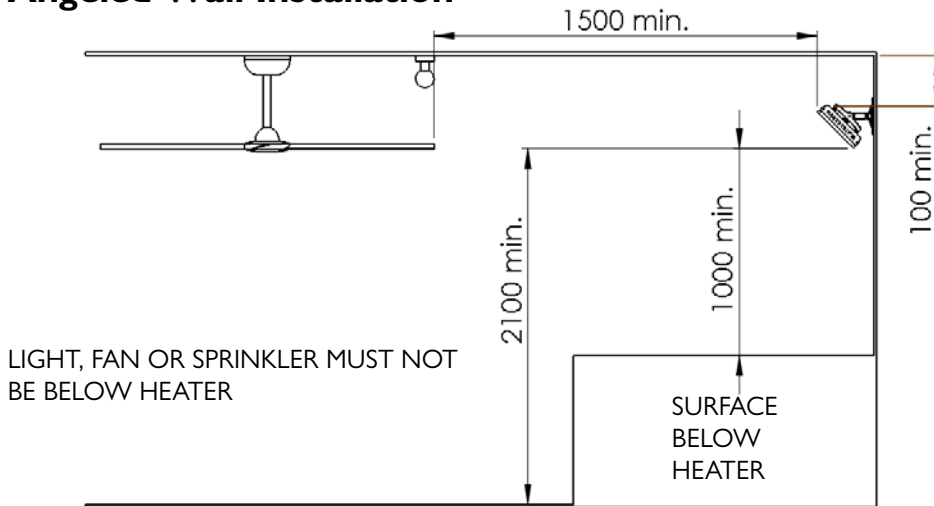
If the heater is to be mounted on an incline (e.g. vaulted ceiling), ensure the electrical connection is located at the lowest point of the heater.

Incorrect Installation	Correct Installation
 <p>✘</p>	 <p>✔</p>
 <p>✘</p>	 <p>✔</p>
 <p>✘</p> <p>The heating surface must never be directed toward the ceiling</p>	 <p>✔</p>

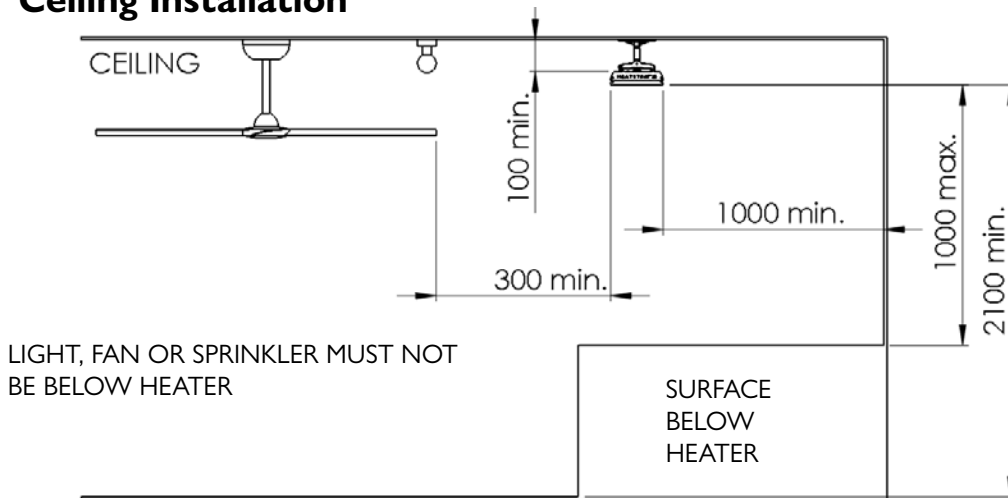
Installation Location

The below diagrams confirm the minimum recommended clearances.

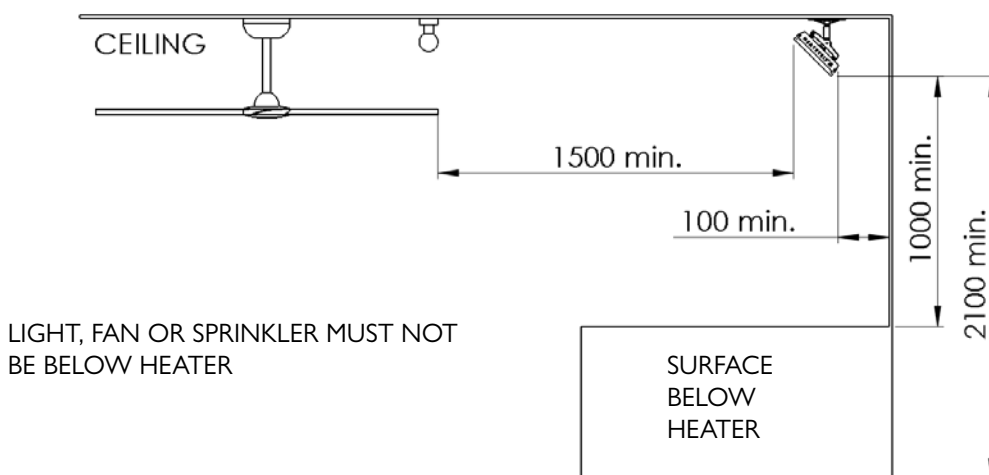
Angeled Wall Installation



Ceiling Installation



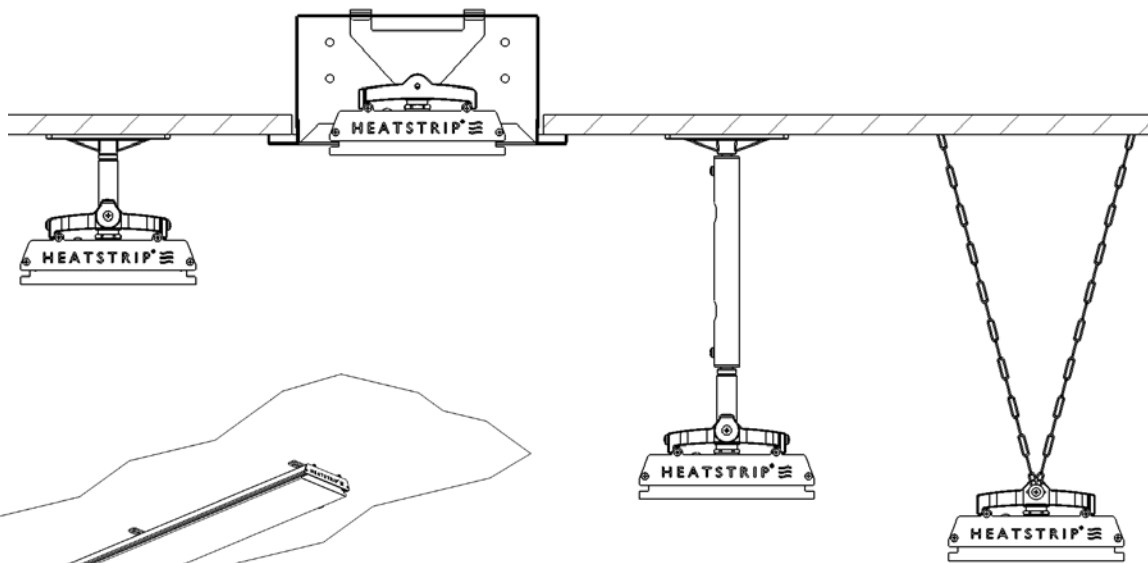
Angled Ceiling Installation



Mounting Options

Installing the **HEATSTRIP® Classic (THH-AR)** is simple and easy using the standard mounting brackets supplied. For other irregular locations there are range of mounting options available - refer to diagrams below

The **HEATSTRIP® Classic (THH-AR)** can be mounted directly to the ceiling, angled downwards on a wall, fitted flush with the ceiling, attached to beams or poles or suspended by rods, wires or chain.



Standard Ceiling Bracket

Beam / Pole Mounting
(Using standard bracket)

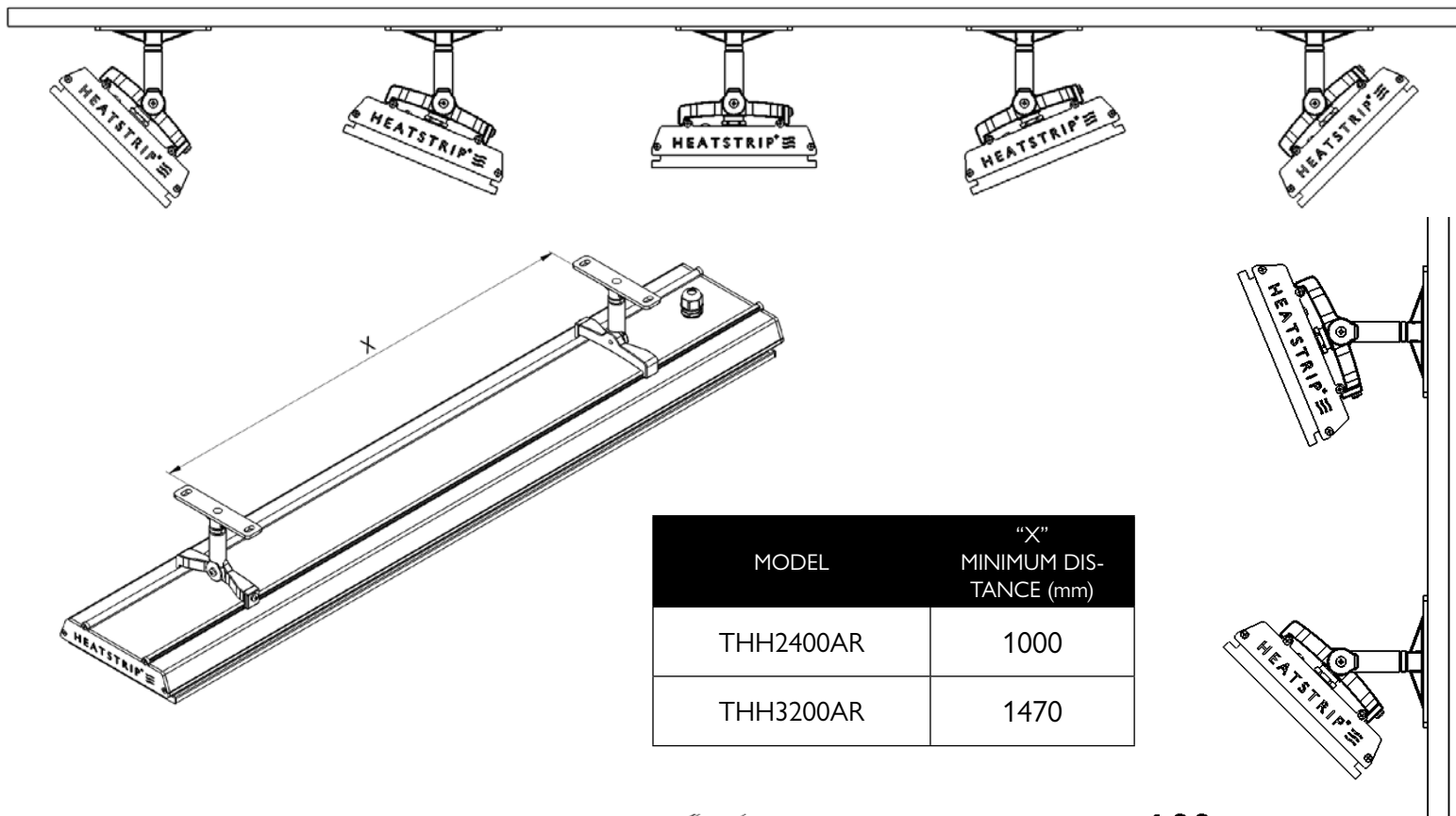
Chain / Wire Mounting
(Using standard bracket)

Flush Mount Enclosure

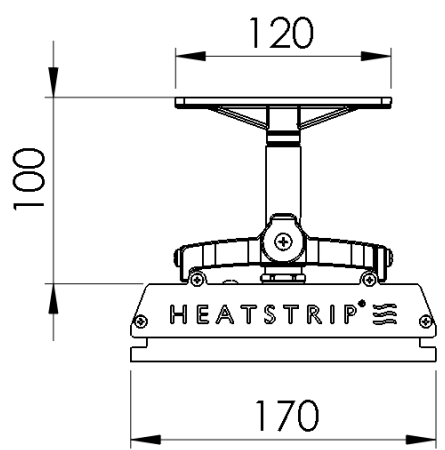
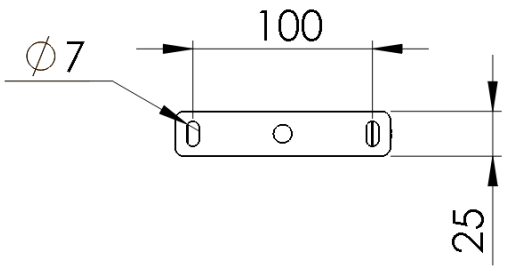
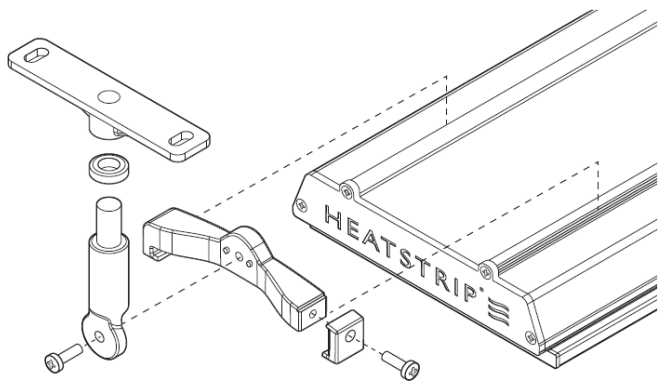
Extension Mounting Poles

Standard Mounting Bracket

The **HEATSTRIP® Classic (THH-AR)** comes with a pair of standard mounting brackets. These adjustable brackets allow direct ceiling, wall or pole/beam mounting, and come with pre-set angle options of parallel, 22.5° and 45°.



MODEL	"X" MINIMUM DISTANCE (mm)
THH2400AR	1000
THH3200AR	1470



Part No.	Packaged (mm)	Weight (Kg)	Materials
ZBRAK-113B	125 x 150 x 40	0.2	Alloy

Chain / Wire Suspension Mount

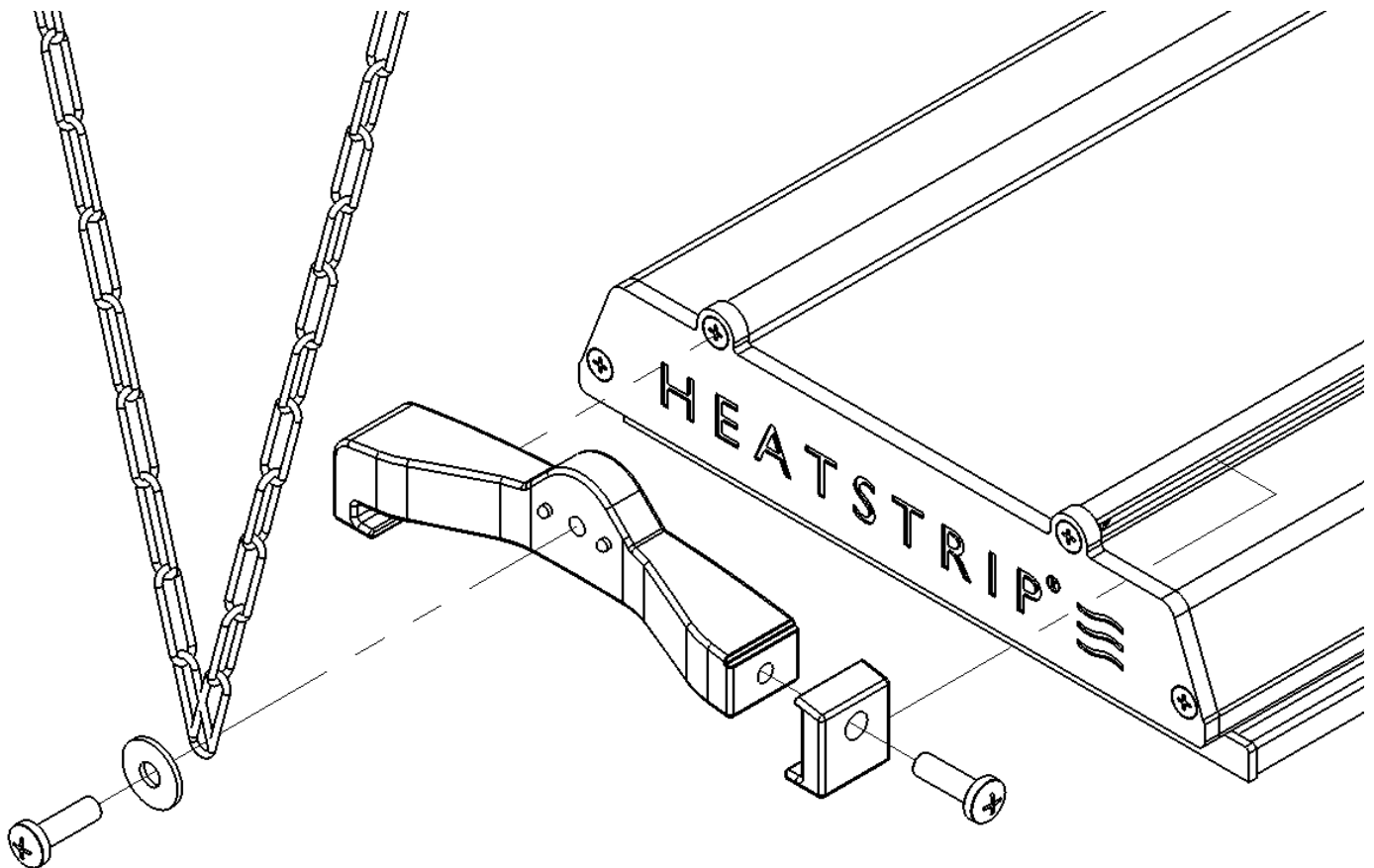
HEATSTRIP® Classic (THH-AR) can be suspended using chain or wire to lower the installation height from high outdoor or indoor roofs or ceilings.

Glen Dimplex does not provide any dedicated installation kit for this type of mounting, however the following information may be used to assist in safely installing the **HEATSTRIP® Classic (THH-AR)**.

Any chain or wire must be suitably rated to withstand the weight of the heater.

The use of chain or wire mounting is NOT recommended for unprotected outdoor installations.

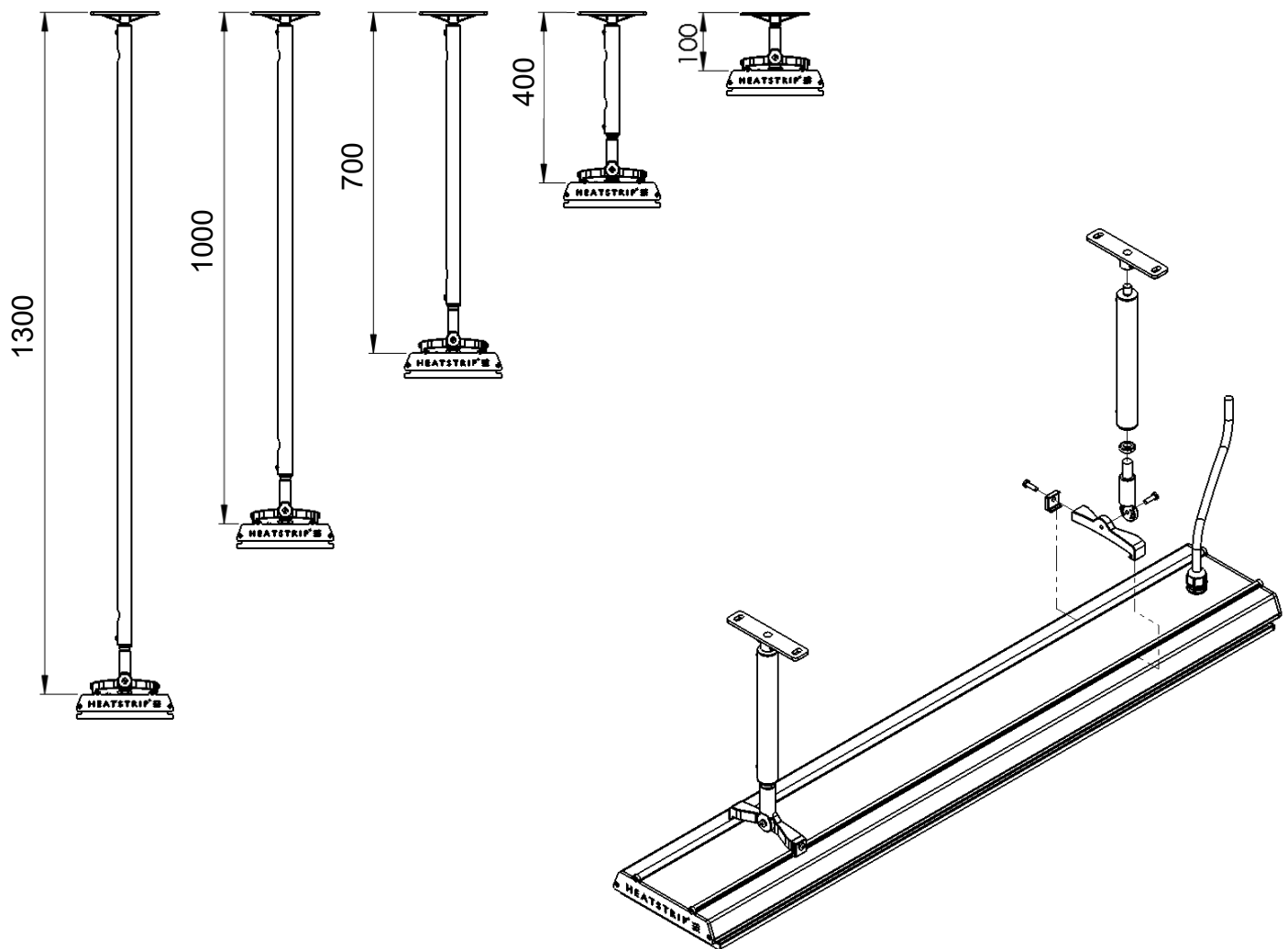
It is recommended to use the component from the standard bracket kit (shown below) which is supplied with each heater to attach any chain or wire to the heater.



Extension Mounting Bracket

The Extension Mount bracket allows **HEATSTRIP® Classic (THH-AR)** units to be lowered from high ceilings using rigid connections. The standard length options as part of the kit are 300mm, 600mm, 900mm and 1200mm.

The extension mount bracket utilises components from the standard bracket kit which is supplied with each heater.



Part No.	Packaged Dimensions (mm)	Weight (kg)	Materials	Notes
THYAC - 047	300 x 150 x 50	0.21	Alloy	Kit includes 2x300mm extension pole
THYAC - 048	600 x 150 x 50	0.38	Alloy	Kit includes 2x600mm extension pole
THYAC - 049	900 x 150 x 50	0.55	Alloy	Kit includes 2x900mm extension pole
THYAC - 050	1200 x 150 x 50	0.71	Alloy	Kit includes 2x1200mm extension pole

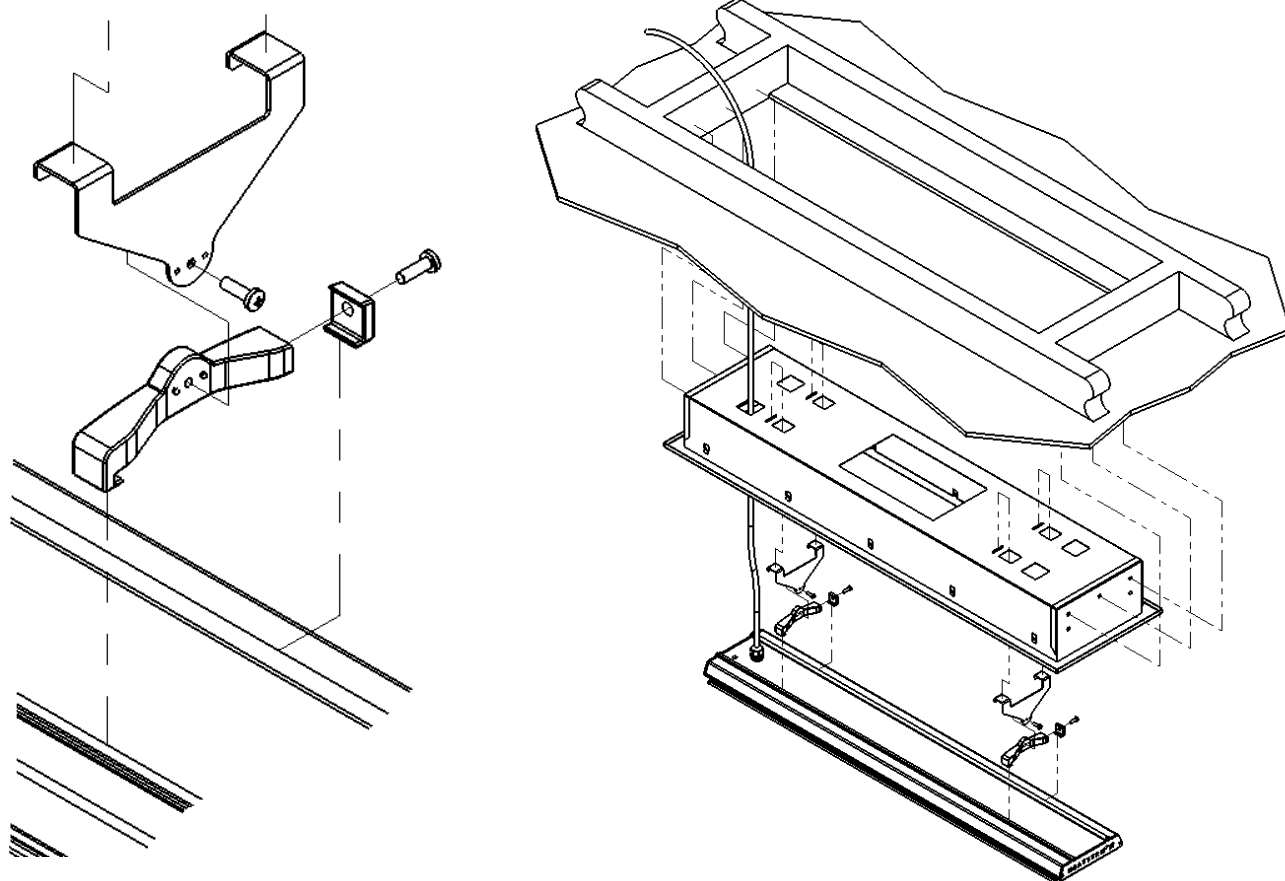
Flush Mount Enclosure

The Flush Mount Enclosure is an ideal way to neatly install the **HEATSTRIP®** into a ceiling. They are available for the **HEATSTRIP® Classic (THH-AR)** and are supplied as a one-piece unit suitable for mounting individual heaters. Flush mounting can be used with plaster or timber lined ceiling materials.

An ideal mounting height is 2.3m-2.5m, with a maximum ceiling height of 2.7m in an outdoor enclosed environment. Maximum mounting heights should be strictly followed, otherwise the performance of the units may be reduced.

The fascia of the enclosure is manufactured from 316 Stainless Steel and the rear casing is black zinc coated steel.

Please refer to the Flush Mount Enclosure Installation Manual for more detailed installation information.



Suitable for Model	Part No.	Hole Cutout Dimensions (mm)	Oveall Dimensions (mm)	Weight (kg)
THH2400AR	THHAC-013	1468L x 222W	1526L x 280W x 125D	8
THH3200AR	THHAC-014	1878L x 235W	1936L x 280W x 125D	9

HEATSTRIP® Wall Mounting Kit - (THHAC-028)

HEATSTRIP® Wall Mounting Kit is an ideal way to install units into hard to mount applications where wall mounting is preferable to direct overhead mounting, applications include heating over tables, lounges, work stations etc. These kits are suitable for all **HEATSTRIP®** Elegance & Classic models.

Instructions:

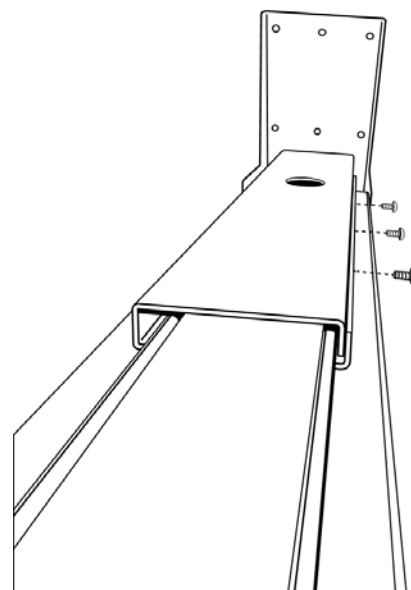
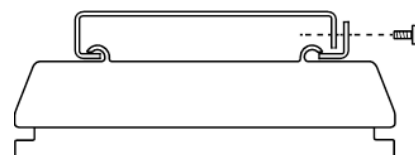
Fix the wall bracket in the desired location using 6 x 8 mm fasteners that will be more than adequate to safely support the bracket and the **HEATSTRIP®** unit.

When bracket is installed lift the heater into position passing the power cord through the hole. Locate the heater so the L bracket fits into the mounting groove located on the back of the **HEATSTRIP®**. Position the angle piece into the mounting groove on opposite side of the heater and secure firmly onto the bracket using the 3 screws provided.

Installation Location:

The below diagram outlines the recommended clearances.

Note: The minimum height from the ground to bottom of the bracket is 2.1m, and the maximum height from the ground to the end of the heater is 2.7m. We recommend a mounting height of 2.3 to 2.5m.



Dimensions (mm)	Weight (kg)	Materials
550L x 165W x 250H	3.5	Powder coated Mild Steel

HEATSTRIP Classic (THH-AR) with Remote

Heatstrip® Classic (THH-AR) is a custom designed and manufactured heater. It has been designed for ease of use and provide low running cost of your heater. It provides 3 levels of temperature control, Adjustable set timer option from 0-24 hours with the touch of a button.

When the heater is plugged in or hardwired, press “power” on the remote, the power indicator light on the unit will light up and indicate the L1, L2, L3 using the + or - to change the heat settings, To set the timer click through the 0-24 hour timer.

THH-AR Functions

The heater temperature control L1 is the lowest heat setting and L3 is the highest heat setting.

The timer function has 0-24 hour timer. This feature is ideal for applications such as alfresco areas, restaurant dining, assembly line production etc. when continuous heat is not required. The timer also reduces the likelihood of heaters being inadvertently left turned on.

Remote pairing

All units operate using the same remote control frequency, therefore, multiple heaters can be operated using a single remote control. The remote will function at distance of over 8m when used in a straight line. This distance reduces when used at an angle.

LED/ Control Panel



Remote



Remote Battery	2 x AAA
Remote Range	2m - 8m
Wall Socket Supply	220V-240V, 50Hz
Max Load	10A (2400W) 13.3A (3200W)
Standby Consumption	<1W
Remote Frequency	38kHz IR

Remote Control Operation

Signal Transmitter

To use the remote controller, aim the transmitter to the heater. A line of sight is required for the unit to function. (The receiver is located on the heater.)

The controller does not have a protection rating. The controller must be kept away from wet applications.

The remote will function at distances of over 8m when used in a straight line. This distance reduces when used at an angle.

Power On / Off

Time Function

Press time function to activate 0 -24 countdown timer.

Press the + / - button to chose 1-24 hour countdown timer

Temperature Control Button 3 Heat Levels

Press + to increase the heating level from L1 - L3

Press - to decrease the heating level

Heat

When the display is in the timer function, press the heat button to revert back to temperature control.

Once L1 is displayed, temperature control is activated.



Battery

AAA Batteries are required for operation

Remote Functions	
Time	Countdown Timer Function
Heat	Heating Control Function
OFF	Unit Off / On
+	Increase Heat / Timer Function
-	Decrease Heat / Timer Function

Maintenance

The **HEATSTRIP®** is made from durable materials, however regular care and maintenance of your heater will help prolong the life of the heater.

It is recommended that you clean the heater and with a soft cloth. Gently wipe the surfaces of the heater with a warm water to remove the built up contaminants from the environment. Then rinse all detergent off the heater.

All chemicals in the atmosphere including cigarette smoke, pollution etc. will tarnish the surface of the heater. In this case, additional cleaning and maintenance may be required. The cleaning process at least every three months will reduce the amount of build up and keep it looking as best it can. If the heater is in a corrosive environment eg. salt spray, we recommend that you clean your heater with a light spray of fresh water every week. After cleaning, turn the heater on for 20 minutes to dry any water residue and prevent water staining.

Before cleaning or inspection activity, the heater must be switched off and cooled down completely.

Do not use any abrasive materials or products to clean the heater, this includes solvents, citrus based cleaners or other harsh cleaning products.

When handling the heater, ensure that your hands are clean or that you use clean gloves as grease or dirt can mark the surface of the heater.

Do not use high pressure water to clean heaters, light water spray only.

Warranty Terms & Conditions

The below Warranty Terms and Conditions apply for **New Zealand and Australia only**. For international warranty please refer to international warranty terms and conditions.

Glen Dimplex warrants to the original owner that HEATSTRIP® Classic (THH-AR) with Remote and App control products will be free from defects in materials and workmanship for a period of 36 months for residential applications and 24 months for commercial applications, from the date of purchase in accordance with the following warranty terms and conditions.

Provision of this warranty is subject to:

- The HEATSTRIP® product must be installed in accordance with the Installation Instructions and relevant electrical standards and codes.
- The HEATSTRIP® product must be maintained and cleaned according to instructions detailed in the Installation Manual.
- There is no warranty expressed or implied with regard to capacity requirements. The selection of the unit or units depends entirely upon the system design and capacities as determined by the purchaser.
- The customer has not repaired, opened or altered the product in any unauthorised manner.
- This warranty excludes damage to the product or components arising from circumstances outside the control of Glen Dimplex, including, but not limited to, where the product is not used for intended purpose; where the product has been rectified in any way; incorrect installation; incorrect power supply; damaged caused during delivery; misapplication, misuse, abuse, vandalism, lack of maintenance or accident.
- Glen Dimplex's obligations under this warranty are limited to repair or replacement at Glen Dimplex's factory of any components of the product which Glen Dimplex identifies to its satisfaction to be defective.
- Transportation charges involved in return of the product to the Glen Dimplex factory (or any other location authorised in writing by Glen Dimplex) is the sole responsibility of the customer.
- All products are inspected and tested before despatch and are at the risk of the purchaser after the shipment from the Glen Dimplex factory, if not delivered by Glen Dimplex to destination.
- Discolouration of the surface may occur after a period of time, this does not constitute a warrantable event.
- Twisting and bending of the heaters may occur, this does not constitute a warrantable event.
- No products or components will be supplied in advance of an examination of the faulty product or components by Glen Dimplex or an authorized representative of Glen Dimplex.
- Glen Dimplex does not participate in any site related costs or labour expenses incidental to replacement of parts, repairing, removing, installing, servicing, transportation or handling of parts to complete products, and assumes no liability on parts repaired or replaced without written authorisation. Glen Dimplex shall not be liable for any default or delay in performance of its warranty obligations caused by any circumstances beyond its control, including, but not limited to, judicial or government restrictions, strikes, fires, floods, abnormal weather conditions, delayed supply of components.

Should products be determined as damaged on arrival, immediately notify the transport company of the condition and have them noted on the freight documents. If damage is discovered after unpacking, demand immediate inspection by the transportation company and insist that a record of the damage is made on the freight documentation.

The customer warrants using the product in accordance with:

- Any instructions provided to it by Glen Dimplex from time to time.
- All government and local regulations, including but not limited to all relevant electrical, environmental laws and regulations governing the installation, storage, use, handling and maintenance of the goods.
- All necessary and appropriate precautions and safety measures relating to the installation, storage, use, handling and maintenance of goods.

Our goods come with guarantees that cannot be excluded under the Australian Consumer Law. You are entitled to a replacement or refund for a major failure and for compensation for any other reasonably foreseeable loss or damage.

You are also entitled to have the goods repaired or replaced if the goods fail to be of acceptable quality and the failure does not amount to a major failure.

All warranty requests for repairs or replacements must be accompanied by a complete "Warranty Claim Form" available from Glen Dimplex, together with proof of purchase (and where possible, photos of the installation) and the heater returned to the place of purchase.

In the event of a warranty claim, the goods need to be returned to the distributor/retailer for repair/replacement. Contact

Glen Dimplex Australia Pty Ltd
8 Lakeview Dr Scoresby, Victoria 3179, Australia
Telephone: 1300 556 816 (AU) & 09 274 8265 (NZ)
Email: HyperCare.Support@glendimplex.com.au

